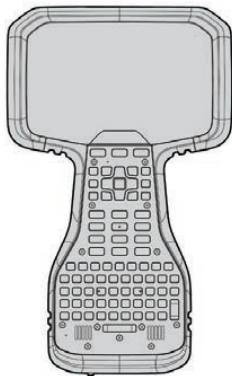



# Trimble TSC5

## CONTROLLER



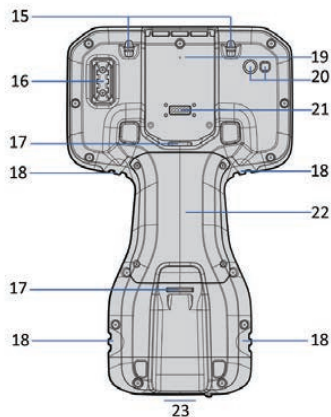
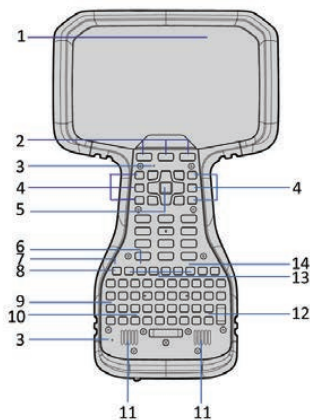
 **CAUTION** – Please read the full user guide including all safety warnings, before operating this product.



### In the box

- ▶ Trimble® TSC5 controller
- ▶ AC power supply with regional plugs and USB-C port
- ▶ USB-C to USB-C cable for charging and data transfer
- ▶ Screen protector
- ▶ Capacitive stylus with tether, 2 extra stylus tips
- ▶ Philips #1 screwdriver
- ▶ Handstrap
- ▶ Protective pouch
- ▶ Quick Start Guide

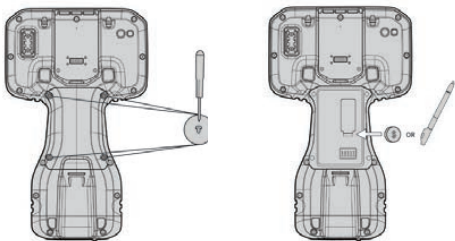
## PARTS OF THE TRIMBLE TSC5 CONTROLLER



- |           |                                      |           |   |
|-----------|--------------------------------------|-----------|---|
| <b>1</b>  | Ambient light sensor                 | <b>13</b> | Function keys (F7-F12)                          |
| <b>2</b>  | Android keys                         | <b>14</b> | Cursor lock LED                                 |
| <b>3</b>  | Microphone (x2)                      | <b>15</b> | Stylus tether points                            |
| <b>4</b>  | Function keys (F1-F3, F4-F6)         | <b>16</b> | Stylus holder                                   |
| <b>5</b>  | OK key & directional keys            | <b>17</b> | Pole mount latches (x2)                         |
| <b>6</b>  | CAPS lock LED                        | <b>18</b> | Handstrap connector points (x4)                 |
| <b>7</b>  | Battery charging LED                 | <b>19</b> | Gore vent. <b>DO NOT COVER!</b>                 |
| <b>8</b>  | Power button                         | <b>20</b> | Camera & camera flash                           |
| <b>9</b>  | Shift LED                            | <b>21</b> | Trimble EMPOWER module bay                      |
| <b>10</b> | LEDs left to right: Fn, Ctrl, Search | <b>22</b> | Cover for optional battery pack & SIM card slot |
| <b>11</b> | Speakers (x2)                        | <b>23</b> | USB-C port, bottom of device under port cover   |
| <b>12</b> | AGr LED                              |           |   |

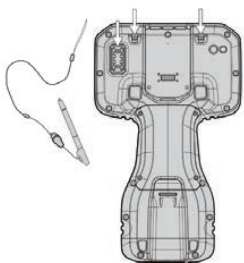
## INSTALL MicroSIM CARD (OPTIONAL)

Remove the cover to access the SIM card slot.

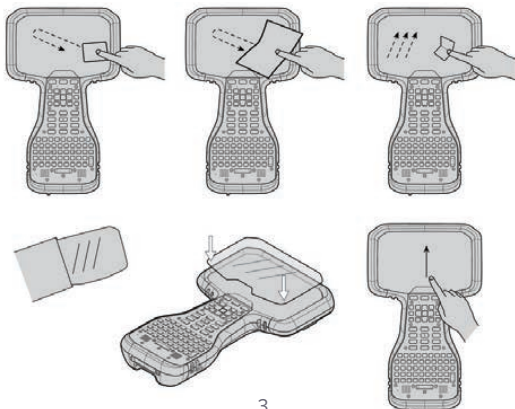


## TETHER THE STYLUS, STORE IN THE STYLUS HOLDER

There is a stylus tether on the left and on the right of the device.



## INSTALL THE SCREEN PROTECTOR

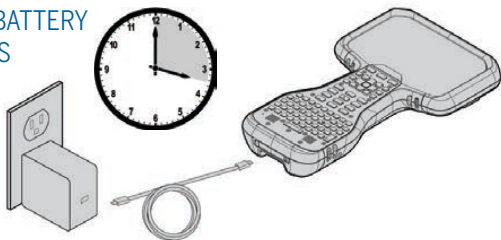


## ATTACH THE HANDSTRAP

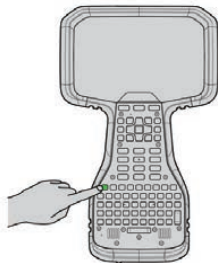
The handstrap can be attached on the left or right side of the device.



## CHARGE THE BATTERY FOR 3.5 HOURS



## TURN ON AND SET UP THE TSC5 CONTROLLER

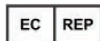


© 2021. Trimble Inc. All rights reserved. Trimble and the Globe & Triangle logo are trademarks of Trimble, registered in the United States and in other countries. Google, Google Play, Android and other marks are trademarks of Google LLC. All other trademarks are the property of their respective owners.  
Revision B. P/N 121931-01 (05/21)



Trimble Inc.  
5475 Kellenburger Rd  
Dayton, OH 45424  
USA

Trimble Europe  
Box 64, SE-182 11  
Danderyd  
Sweden



[www.trimble.com](http://www.trimble.com)

